



X-Serie



X1
6,5"

X2
8"

X4
10"

X6
12"

X8
15"



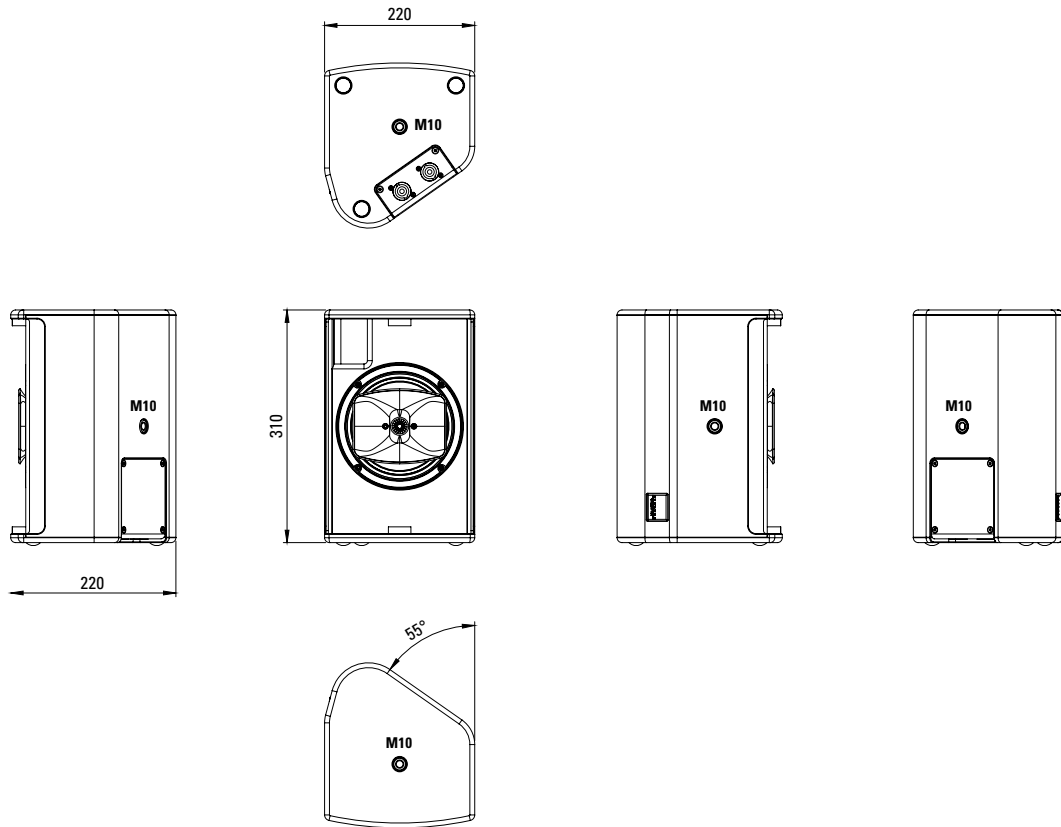


PRODUCT SPECIFICATIONS

Speaker Components	6,5" Nd / 1" Nd
Description	Multi Purpose Coaxial Sound System
Power <small>AES / Peak</small>	200 W / 600 W
Impedance <small>nominal</small>	8 Ω
SPL <small>1 W / Peak @ 1 m</small>	92 dB / 120 dB
Usable Range	80 Hz - 19 kHz (-6dB)
Tuning Frequency <small>Excursion minimum</small>	90 Hz
Coverage <small>horizontal / vertical</small>	90° x 60° - rotatable
Max. Splay Angle	---
Connectors	2 x Neutrik Speakon NL4MP in/out Coding: 1 +/- HiMid, 2 +/- loop thru
Handles	---
Rigging / Fittings	4 x M10
Weight	5,5 kg
Size <small>height x width x depth</small>	31,0 x 20,0 x 22,0 cm
Order No.	01090



DIMENSIONS X 1



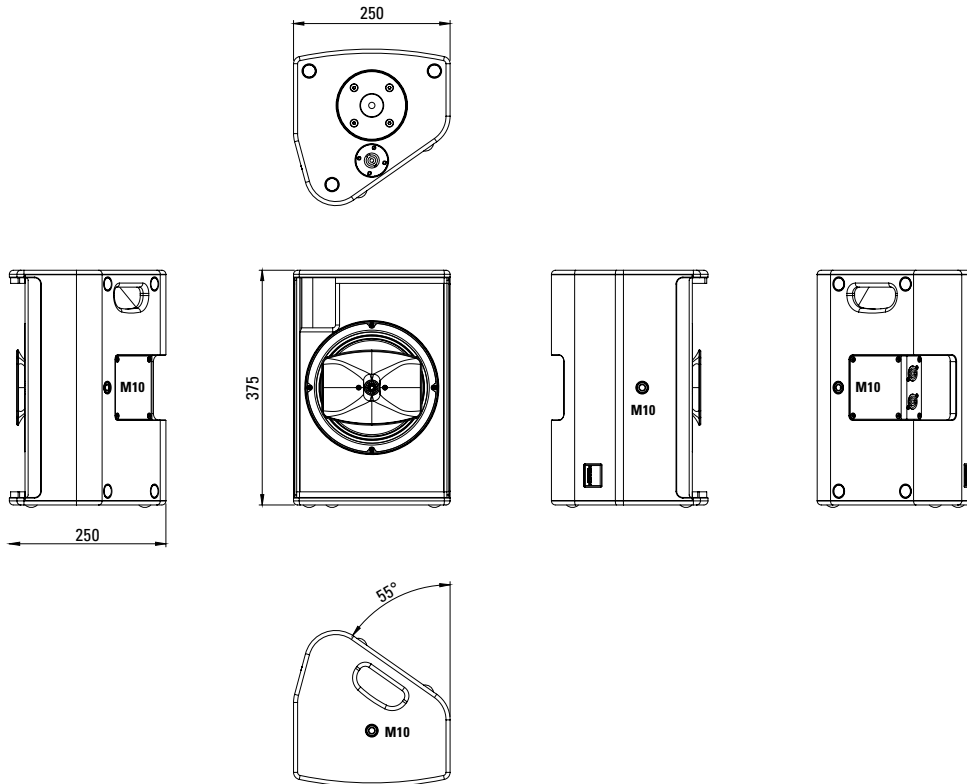


PRODUCT SPECIFICATIONS

Speaker Components	8" Nd / 1" Nd
Description	Multi Purpose Coaxial Sound System
Power <small>AES / Peak</small>	250 W / 750 W
Impedance <small>nominal</small>	8 Ω
SPL <small>1 W / Peak @ 1 m</small>	95 dB / 124 dB
Usable Range	70 Hz - 19 kHz (-6dB)
Tuning Frequency <small>Excursion minimum</small>	80 Hz
Coverage <small>horizontal / vertical</small>	90° x 60° - rotatable
Max. Splay Angle	- - -
Connectors	3 x Neutrik Speakon NL4MP in/out Coding: 1 +/- HiMid, 2 +/- loop thru
Handles	1 x
Rigging / Fittings	3 x M10 35 mm pole mount
Weight	8 kg
Size <small>height x width x depth</small>	37,5 x 25,0 x 25,0 cm
Order No.	01091



DIMENSIONS X 2





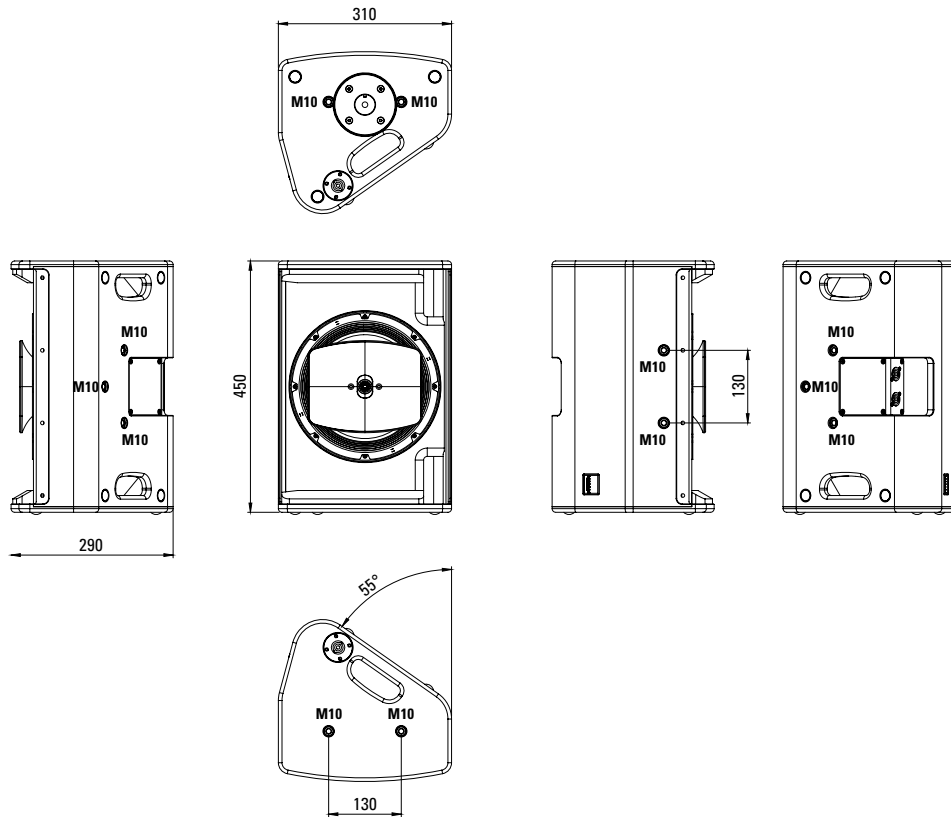
X4
COAXIAL

PRODUCT SPECIFICATIONS

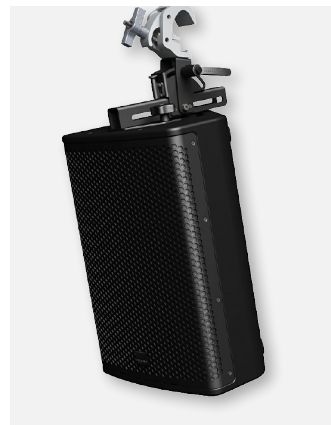
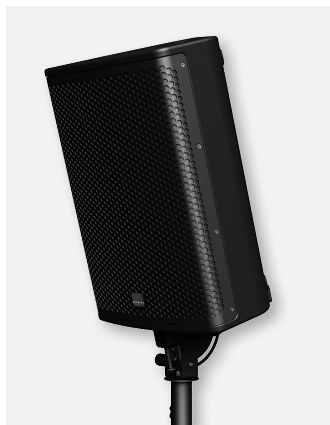
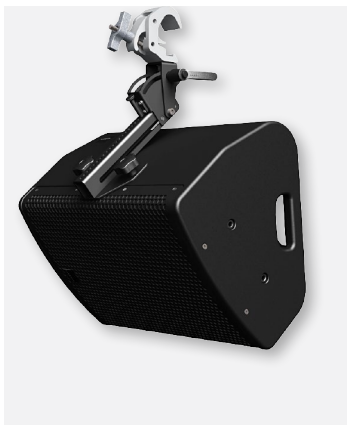
Speaker Components	10" Nd / 1" Nd
Description	Multi Purpose Coaxial Sound System
Power <small>AES / Peak</small>	350 W / 1000 W
Impedance <small>nominal</small>	8 Ω
SPL <small>1 W / Peak @ 1 m</small>	97 dB / 127 dB
Usable Range	60 Hz - 19 kHz (-6dB)
Tuning Frequency <small>Excursion minimum</small>	70 Hz
Coverage <small>horizontal / vertical</small>	80° x 60° - rotatable
Max. Splay Angle	- - -
Connectors	4 x Neutrik Speakon NL4MP in/out Coding: 1 +/- HiMid, 2 +/- loop thru
Handles	2 x
Rigging / Fittings	9 x M10 To be used with MultiRigg 35 mm pole mount
Weight	12,5 kg
Size <small>height x width x depth</small>	45,0 x 31,0 x 29,0 cm
Order No.	01093



DIMENSIONS X 4



APPLICATIONS



Einfache Installation mit dem universellen MultiRigg™.



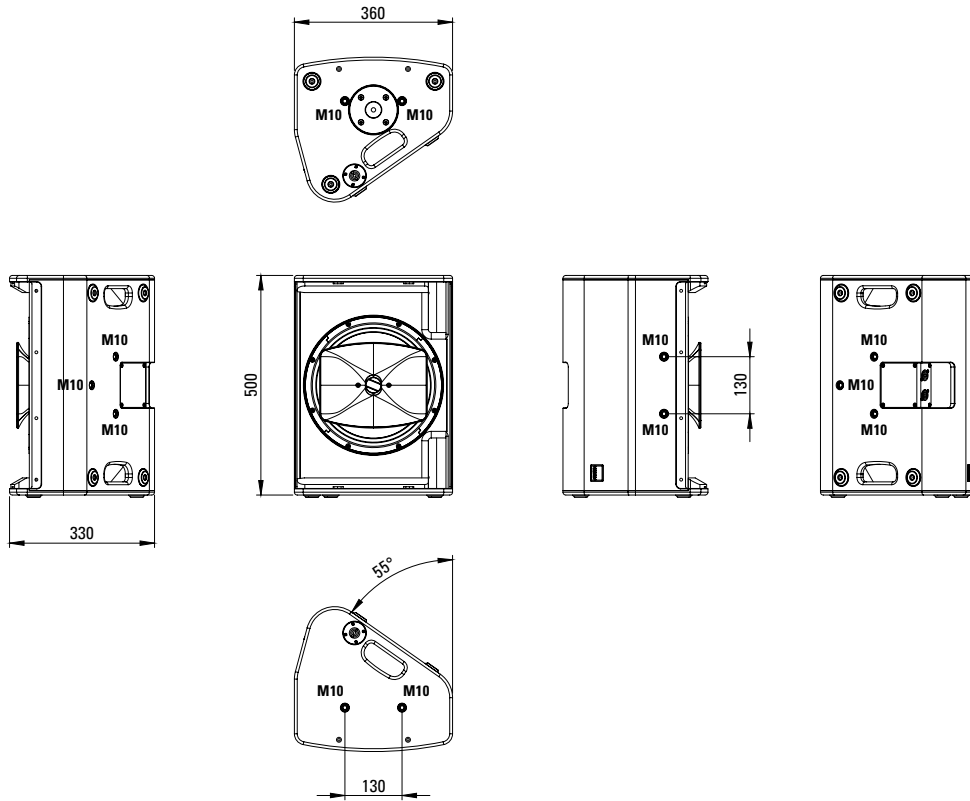
X6
COAXIAL

PRODUCT SPECIFICATIONS

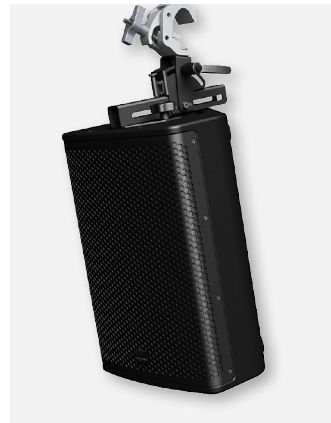
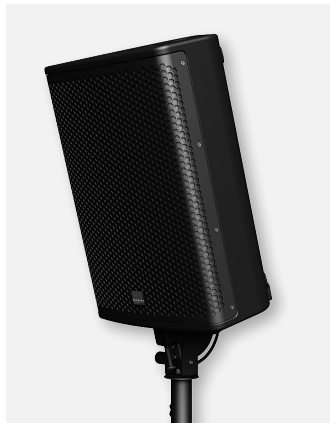
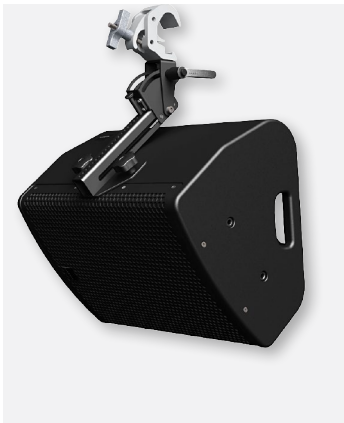
Speaker Components	12" Nd / 1,4" Nd
Description	Multi Purpose Coaxial Sound System
Power <small>AES / Peak</small>	500 W / 1500 W
Impedance <small>nominal</small>	8 Ω
SPL <small>1 W / Peak @ 1 m</small>	99 dB / 131 dB
Usable Range	55 Hz - 18 kHz (-6dB)
Tuning Frequency <small>Excursion minimum</small>	65 Hz
Coverage <small>horizontal / vertical</small>	80° x 60° - rotatable
Max. Splay Angle	- - -
Connectors	4 x Neutrik Speakon NL4MP in/out Coding: 1 +/- HiMid, 2 +/- loop thru
Handles	2 x
Rigging / Fittings	9 x M10 To be used with MultiRigg 35 mm pole mount
Weight	18,5 kg
Size <small>height x width x depth</small>	50,0 x 36,0 x 33,0 cm
Order No.	01095



DIMENSIONS X 6



APPLICATIONS

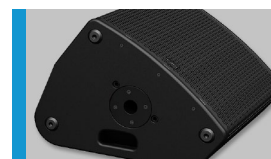


Einfache Installation mit dem universellen MultiRigg™.

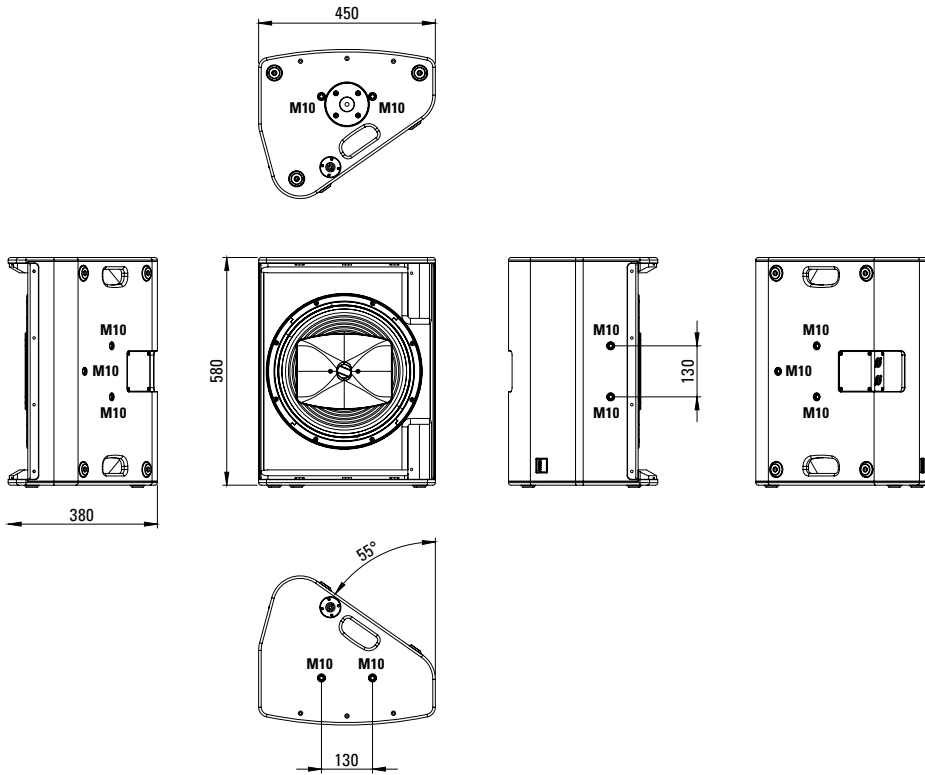


PRODUCT SPECIFICATIONS

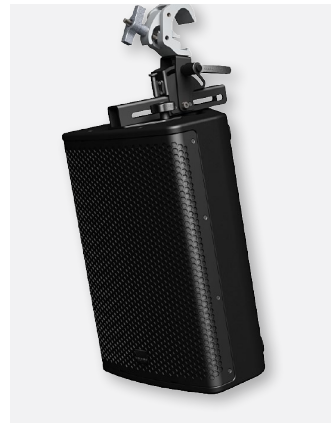
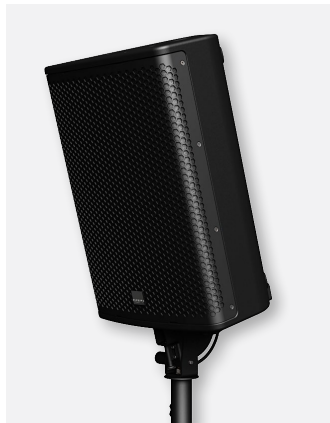
Speaker Components	15" Nd / 1,4" Nd
Description	Multi Purpose Coaxial Sound System
Power <small>AES / Peak</small>	600 W / 1800 W
Impedance <small>nominal</small>	8 Ω
SPL <small>1 W / Peak @ 1 m</small>	101 dB / 134 dB
Usable Range	50 Hz - 18 kHz (-6dB)
Tuning Frequency <small>Excursion minimum</small>	60 Hz
Coverage <small>horizontal / vertical</small>	80° x 60° - rotatable
Max. Splay Angle	- - -
Connectors	4 x Neutrik Speakon NL4MP in/out Coding: 1 +/- HiMid, 2 +/- loop thru
Handles	2 x
Rigging / Fittings	9 x M10 To be used with MultiRigg 35 mm pole mount
Weight	22,5 kg
Size <small>height x width x depth</small>	58,0 x 45,0 x 38,0 cm
Order No.	01097



DIMENSIONS X 8



APPLICATIONS



Einfache Installation mit dem universellen MultiRig™.