



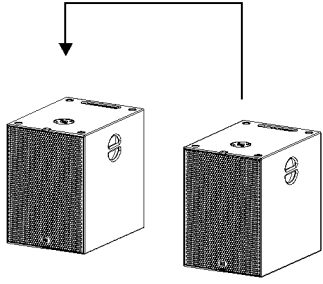
## Assembly Instructions

G3  
G Sub

[www.seeburg.net](http://www.seeburg.net)

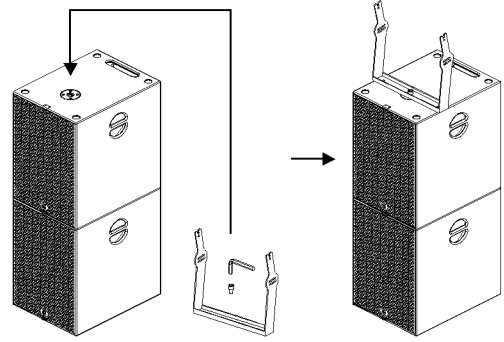
(A)

# Assembly Instructions G3 - G Sub Stack

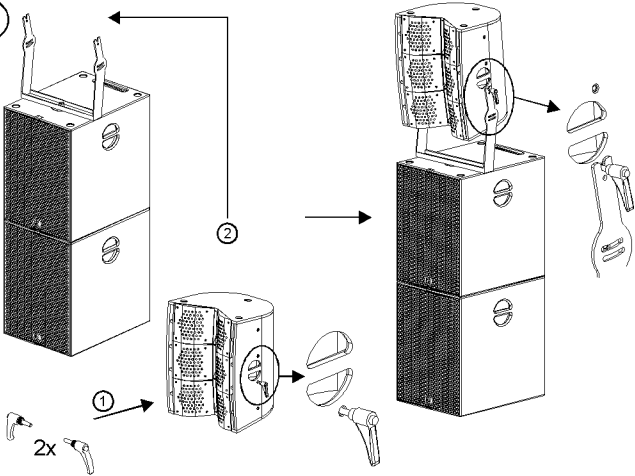


(B)

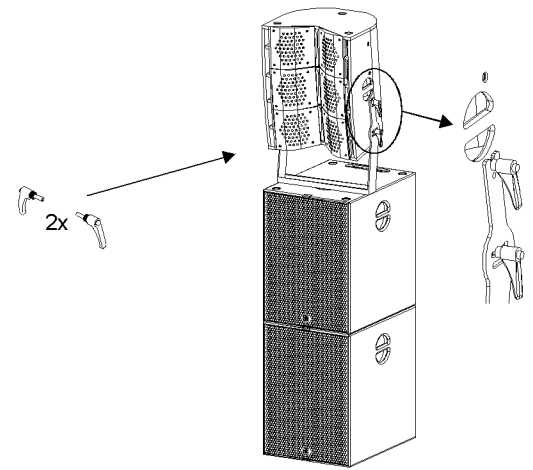
acoustic  
line  
S E E B U R G  
Professional PA Systems



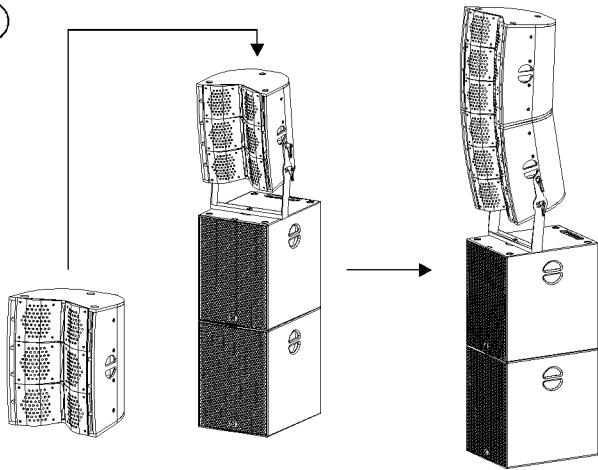
(C)



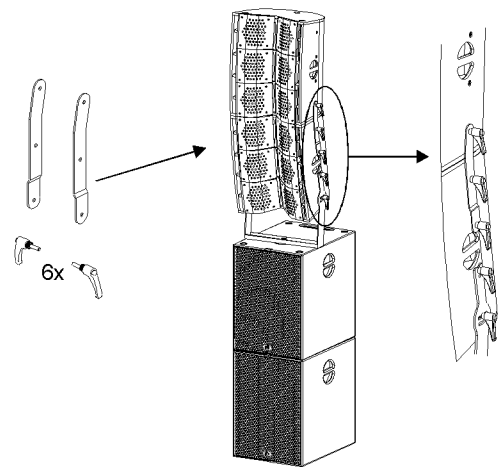
(D)



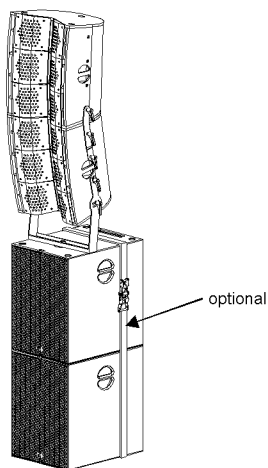
(E)



(F)



(G)



2 x G-Sub  
Order number: 00600



2 x G3  
Order number: 00550



1 x Bracket for G3  
Order number: 01350



1 x pair of  
Connection Bar  
short for G3  
Order number: 08146



1 x M20x30mm  
Socket head screw  
DIN 912



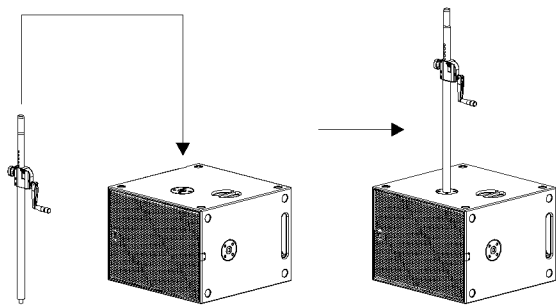
1 x Allen wrench



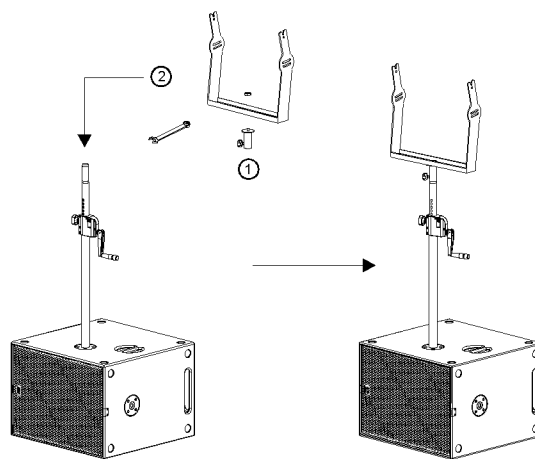
10 x Adjustable  
clamping lever  
M10 x 20 mm  
Order number: 08375/20

(A)

# Assembly Instructions G3 - G Sub pole mount

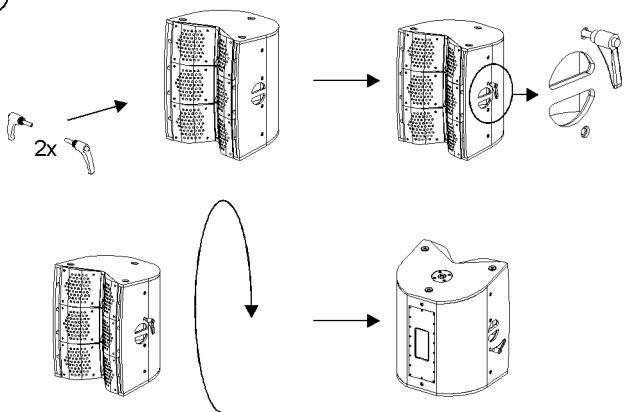


(B)

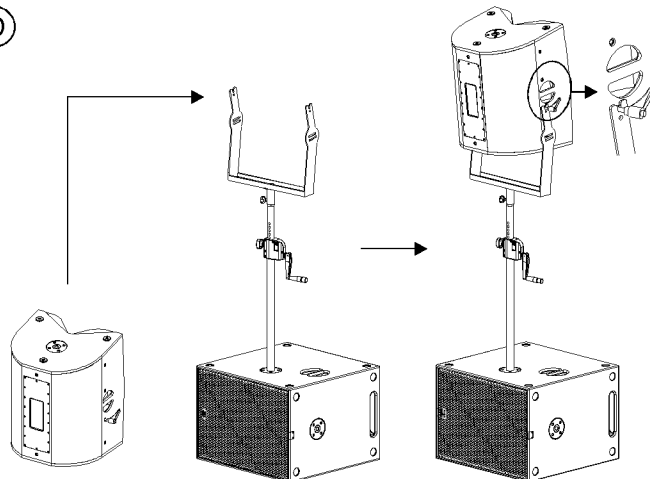


acoustic  
line  
S E E B U R G  
Professional PA Systems

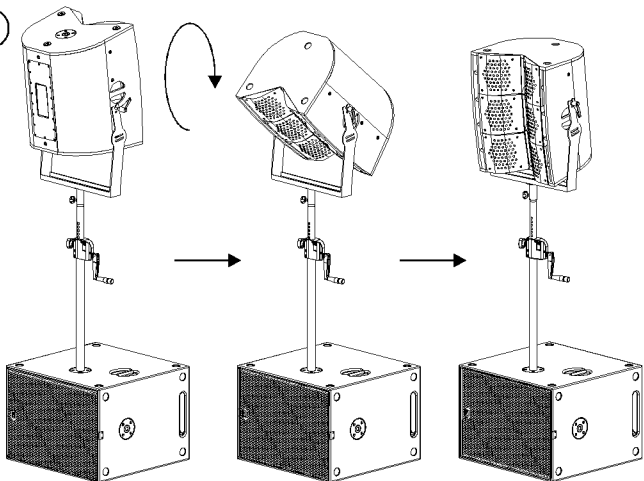
(C)



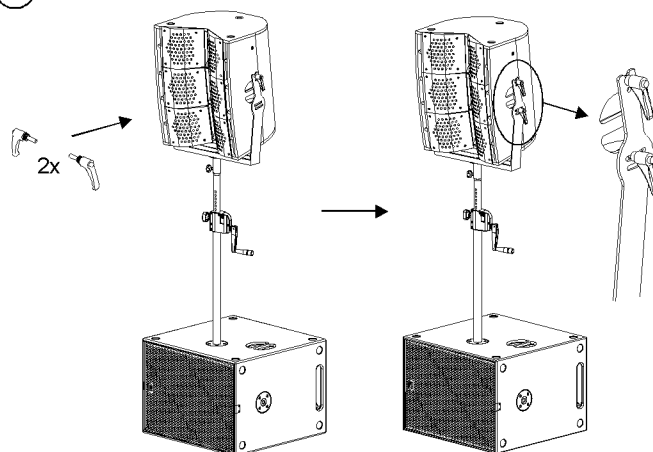
(D)



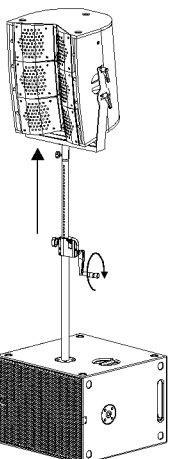
(E)



(F)



(G)



1 x G-Sub  
Order number: 00600



1 x G3  
Order number: 00550



1 x Speaker Pole  
M20  
with wind up  
Order number: 03023



1 x Bracket for G3  
Order number: 01350



1 x M20 Flange for G3  
Order number: 08127



4 x Adjustable clamping lever  
M10 x 20 mm  
Order number: 08375/20



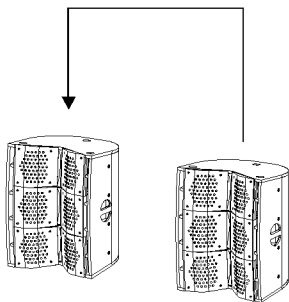
M20 self-locking nut



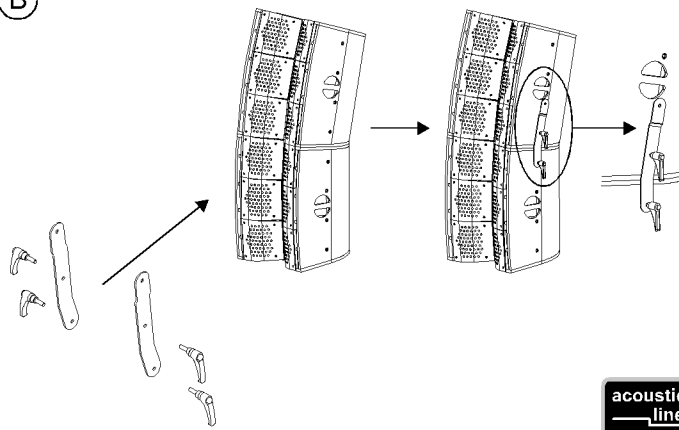
Combination wrench

(A)

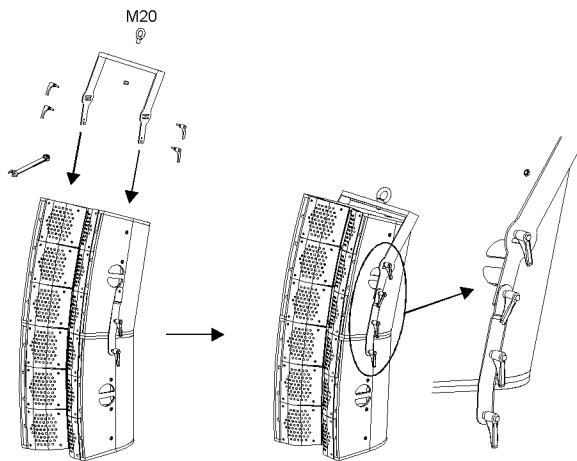
# Assembly Instructions G3 - flown



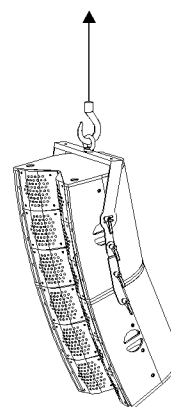
(B)



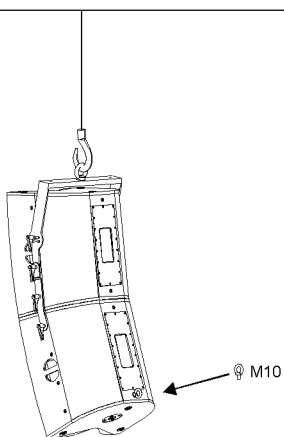
(C)



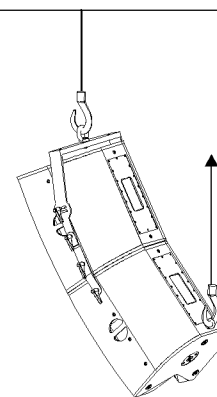
(D)



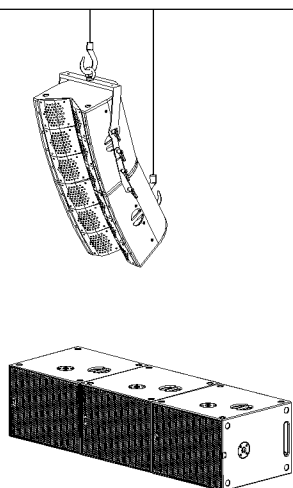
(E) optional



(F)



(G)



2 x G3  
Order number: 00550



1 x Bracket for G3  
Order number: 01350



1 x pair of  
Connection Bar  
short for G3  
Order number: 08146



8 x Adjustable  
clamping lever  
M10 x 20 mm  
Order number: 08375/20



M20 lifting eye bolt



M20 self-locking nut



Combination wrench