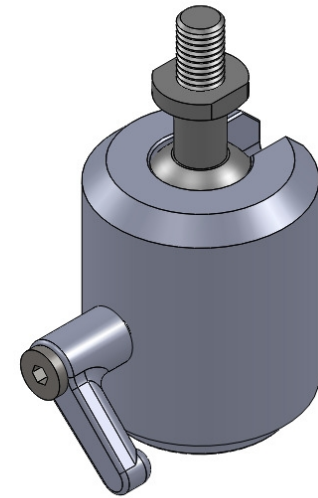
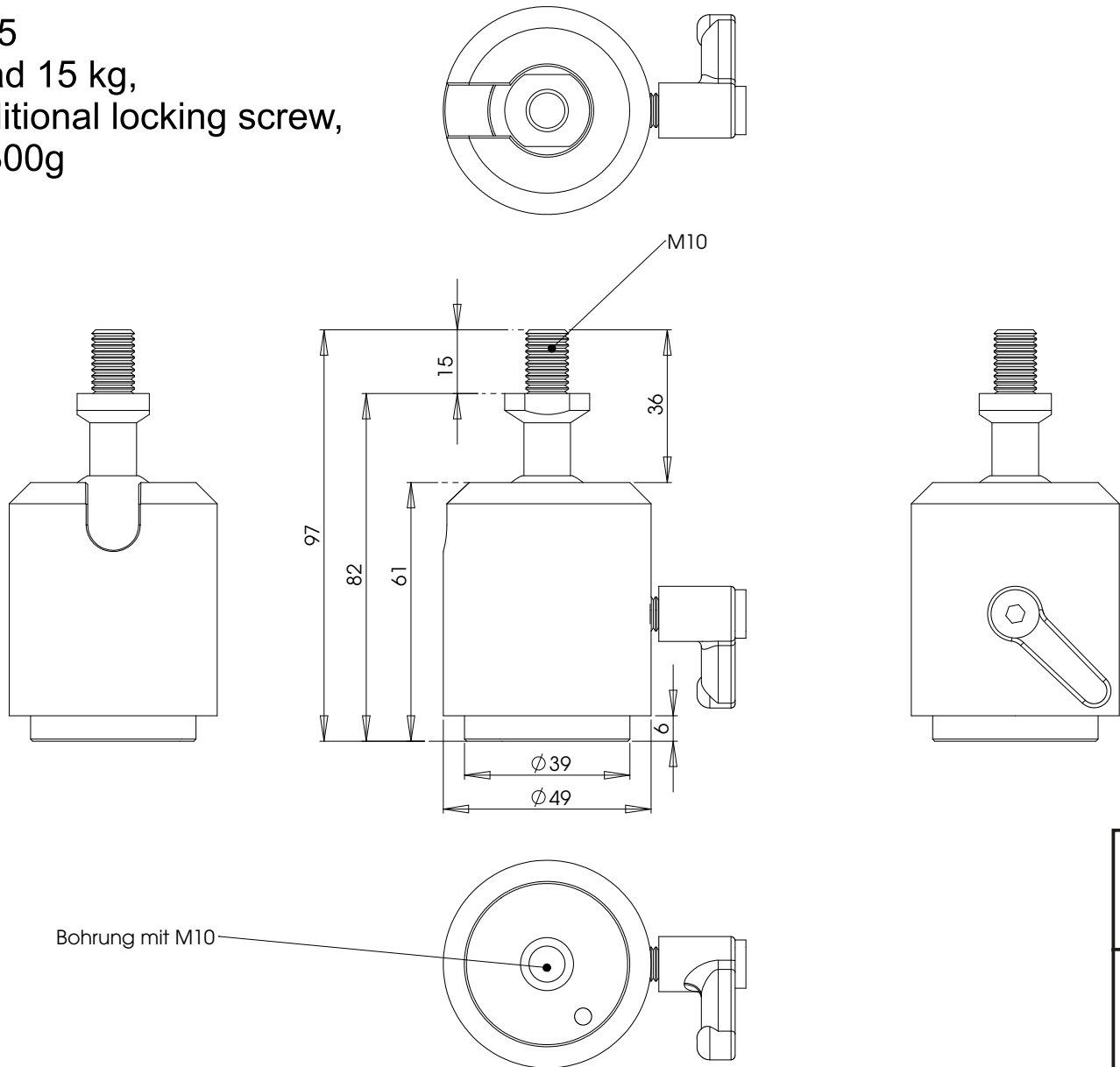


## Ball Socket Joint

- M10 x 15
- max. load 15 kg,
- with additional locking screw,
- weight 300g



**S E E B U R G**  
a c o u s t i c l i n e

**Ball Socket Joint**  
**08125**