



*Great sound
from Barcelona
since 1972*

www.amateaudio.com

User's manual

S12

NÍTID

#purelynitid

December 2022

Amate Audio S.L.

EXPORT & CUSTOMER SERVICE
Perpinyà, 25 · Polígon Industrial Nord
08226 Terrassa · Barcelona – SPAIN
T. +34 93 735 65 65
export@amateaudio.com

R&D, FACTORY AND MANAGEMENT
Violinista Vellsolà, 18
08222 Terrassa · Barcelona – SPAIN
T. +34 93 736 23 90
info@amateaudio.com

Safety Instructions

- 1.** All safety instructions must be read before using this device.
- 2.** Keep and follow these instructions
- 3.** Heed all warnings
- 4.** The exclamation mark in the triangle indicates internal components which if replaced can affect safety.
- 5.** The lightning symbol within the triangle indicates the presence of dangerous uninsulated voltages.
- 6.** Only clean the device with a dry cloth.
- 7.** Do not block any ventilation openings. Install in accordance with the manufacturer's instructions.
- 8.** Do not install the device near heat sources such as radiators, heaters or other heat-emitting elements.
- 9.** Protect the power cord from being walked on or pinched, particularly at plugs, convenience receptacles, and the point where they exit from the apparatus
- 10.** The equipment must be repaired by qualified technical service personnel when:
 - A.** The mains supply cable is damaged, or
 - B.** Any object or liquid has damaged the device; or
 - C.** The equipment does not function normally or correctly; or
 - D.** The equipment has been exposed to the rain; or
 - E.** The chassis is damaged
- 11.** Disconnect the device in the case of electric storms or during long periods of disuse.
- 12.** **WARNING** – To reduce the risk of fire or electric shock, do not expose this device to rain or moisture
- 13.** The equipment shall not be exposed to dripping or splashing and no objects filled with liquids, such as vases, shall be placed on the device.
- 14.** For hanging and installation, use manufacturer recommended accessories only.

6. 1. INTRODUCTION

General

Amate Audio would like to thank you for your confidence in our NITID Series. We suggest you to carefully read the following instructions in order to obtain the best results in performance.

Features and presentation

S12

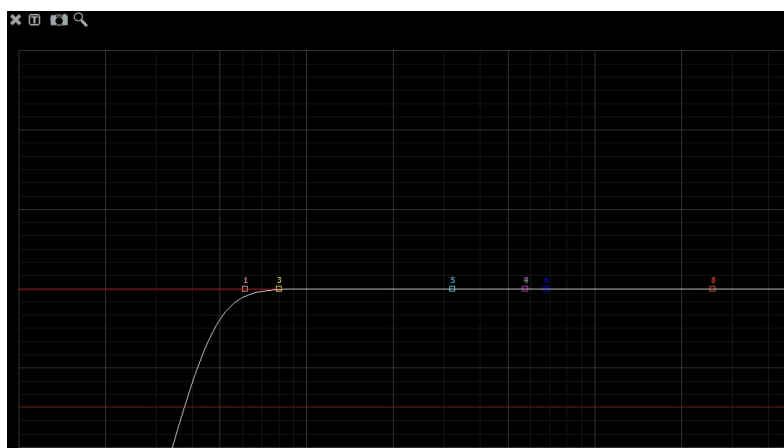
- Self-powered two-way acoustic system
- XLR electronically balanced input & output
- AC PowerCon input & link
- 800W class D amplifier for bass range
- 200W class D amplifier for high range
- 24-bit AD/DA converters, 48 kHz sampling rate
- DSP Controls (presets, parametric EQs, delay, mute, gain and limiter)
- ECO-mode available: automatic standby mode controlled by the input signal
- Amplifier self-diagnostics: input and output level, temperature, limiter active
- 12" neodymium speaker with 3" voice coil
- 1.5" polymer diaphragm neodymium ring driver
- 50° to 100° (H) x 55° (V) asymmetrical dispersion horn

Presets on S12

The S12 includes several manufacturer presets for different types of applications.

PRESET 1: Flat

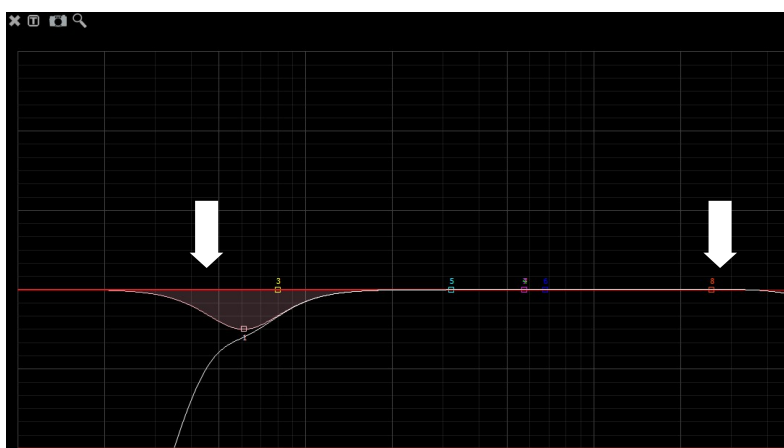
Single enclosure without subwoofer, full range, flat response. For pole mount or hanged applications.



PRESET 2: Speech

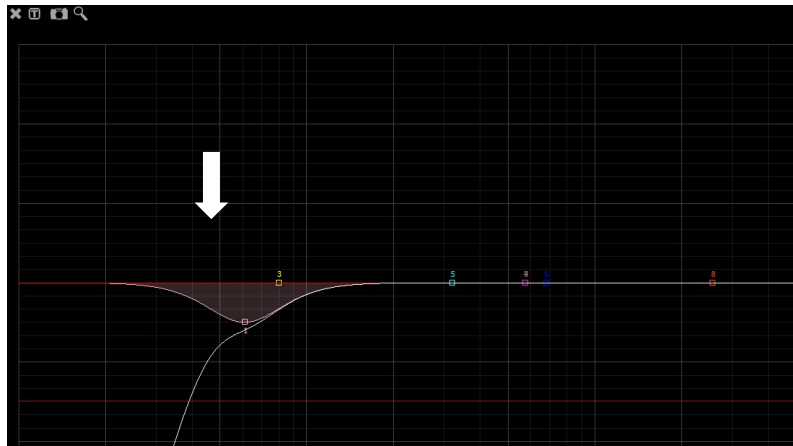
Single enclosure without subwoofer, full range, flat response. For speakers using microphone.

-3dB low
-3dB high



PRESET 3: Monitor

Single enclosure without subwoofer full range, flat response. For stage monitor applications.

**PRESET 4: HPF90**

For using with subwoofer. HPF at 90 Hz.



Fig. 1. Presets for S12

2. CONTROL AND CONNECTION PANEL

The S12 control panel contains the following elements:

A) TOUCHSCREEN: Displays information about the System status: current preset, amplifier status and signal input level. Allows the user to configure the system: Preset selection, Delay, Gain, Limiter, ECO mode on/off, Front LEDs on/off, etc. For more information about the available functionality, read the Annex I of this manual.

NOTE: For preventing the access to Main Menu with a PIN pattern, please refer to Annex I.

B) MODEL DATA: The basic data of the model is found here:

- Model reference
- Amplifier program power (Watts)
- Maximum Sound Pressure Level Continuous delivered by the system (dB SPL)

C) BALANCED INPUT/LINK:

XLR-3 Female balanced signal connector for signal input.

XLR-3 Male connector for parallel connection of various cabinets with the same input signal.

Nominal Input sensitivity: +8dBu (2 Vrms)

Maximum Input Voltage without clipping: +14dBu (4Vrms)

Maximum Input Voltage: +20dBu (8Vrms)



IMPORTANT: Please always use balanced microphone cable with the following pin assignment:

1= Shield (Ground) 2= Live (+) 3= Return (-)



Fig. 2. S12 control and connection panel

D) AC MAINS INPUT/LINK: Mains supply connection via PowerCon.

- Blue connector for AC in.
- Grey connector to feed other units in parallel. Linking up to ten units is possible, provided that a quality cable of a minimum section of 3x2.5mm² is used. Connecting more than ten units in parallel may lead to a voltage drop in the cable that will reduce the equipment performance.



Always use mains power cable supplied by manufacturer. Never connect NITID cabinets to an unearthed mains supply or by using an unearthed mains cable

E) AUTHENTICATION QR CODE: This QR code is a smart label that ensures that the product is an original Amate Audio product. To verify the authenticity, please follow the instructions in the following link:

<http://www.amateaudio.com/en/product-authentication/>

3. CONFIGURATIONS

3.1. Parallel connection

Connect the signal (mixing desk output) to INPUT on the first unit. Use the LINK output to transfer the INPUT signal to the second unit and thus sequentially for further units. All of the units in this chain must be switched on.

For the mains connection use the cable with the blue PowerCon.

You can use the mains connection in parallel by using a cable with grey PowerCon at one end and the blue PowerCon at the other end.

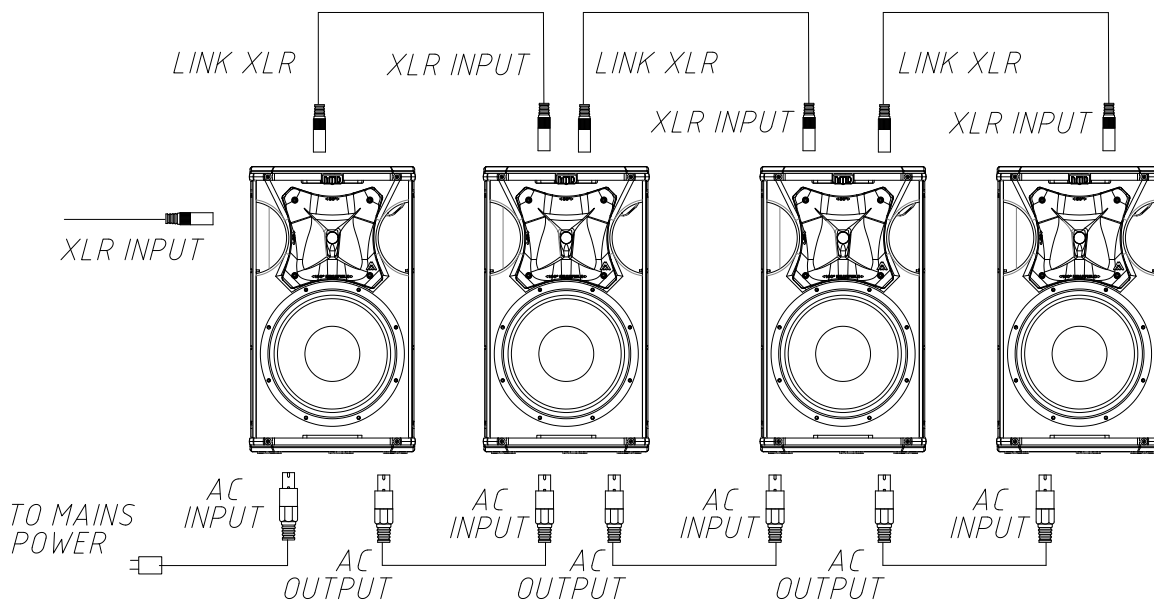


Fig. 3. Parallel connection for S12 (signal and mains)



Do not connect NITID series units using PowerCon without earth.
Do not connect more than ten units using the AC output link connector.

Parallel connection with subwoofer

You can connect the S12 in parallel with a subwoofer. Please, follow the same parameters as explained in figure 3, both for audio signals and mains. The maximum number of subwoofers that may be linked depend on the used model. Check the subwoofer user manual for more information.

4. MOUNTING AND INSTALLATION

Flying an S12 system is easy, fast and secure. To perform any operations related to flying the system, read the present document, and act on the warnings and advice given.

Only experienced installers with adequate knowledge of the system and local safety regulations should fly speaker cabinets.

It is the user's responsibility to ensure that the systems to be flown and the flying accessories (such as chains, eyebolts, lock pins...) comply with state and local regulations. They should be regularly inspected and replaced if in doubt.

When flying enclosures from ceiling support structures, extreme care should be taken to assure the load bearing capabilities of the structures. **Do not fly systems from unsafe structures.**

All flying accessories that are not supplied by Amate Audio are the user's responsibility. Use at your own risk. **Remember that no risks should be taken with regards to public safety.**

4.1. Placement

When possible, cabinets should be located in a high position, slightly inclined to the audience. If the loudspeakers are located too low, the listeners at the end of the room will not hear a good sound quality.

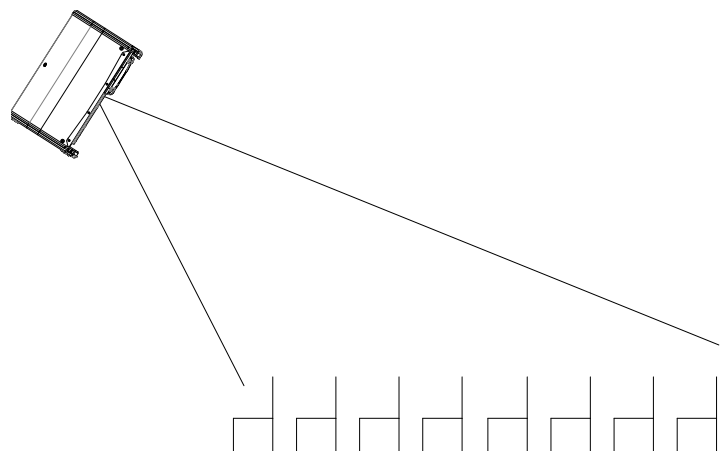


Fig. 4. Flying placement

4.2. S12 with subwoofer

The S12 is equipped with a 35 mm socket for mounting the speaker on a subwoofer (use SP/CRTL bar) or on a tripod. Be careful not to use this system on non-flat surfaces as it may become unstable.

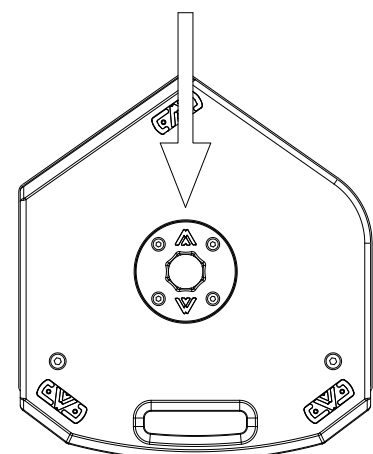


Fig. 5. S12 35 mm bottom socket

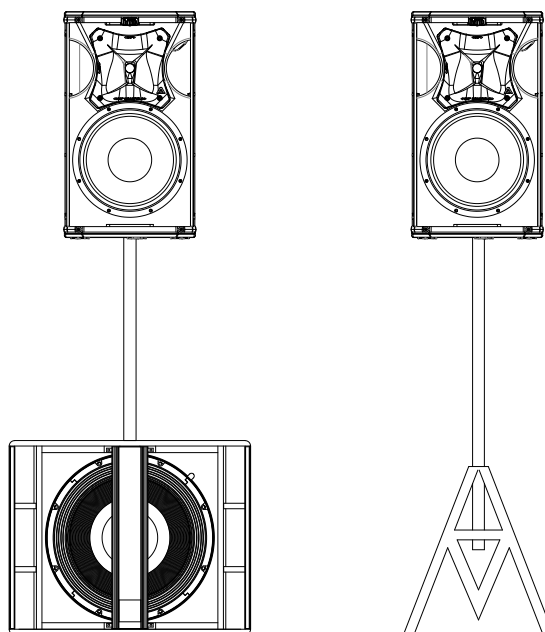


Fig. 6. Use with subwoofer or tripod

4.3. Asymmetrical and rotatable horns

The S12 incorporates an asymmetrical dispersion horn which will optimise coverage.

To rotate the horn, unscrew the frontal grille, and then, unscrew the four fixing screws of the horn. Rotate it 180 degrees taking care of the wires. Screw the horn again and finally place the frontal grille in its right position.

Good coverage of audiences often is a conflicting combination of:

- wide coverage for the closest audience (short throw)
- narrow coverage for distant areas (long throw)

The asymmetrical dispersion horn coverage varies from "short throw" to "long throw" along the vertical axis (keeping a constant vertical directivity). In conclusion, directivity feature of (50° to 100° (H), 55° (V)) can be seen as if the horn itself had "two" horizontal directivities, which depend on the distance. For short distances the horn should be used with its "wide" dispersion (100°). For long distances the horn should be used with its "narrow" dispersion (50°). We suggest you to pay attention to the following examples.

4.3.1. Vertical-Positioned Cabinets (Flown and aiming to the audience)

We need wide coverage (100°) for the closest listeners and narrow coverage for the distant audience.

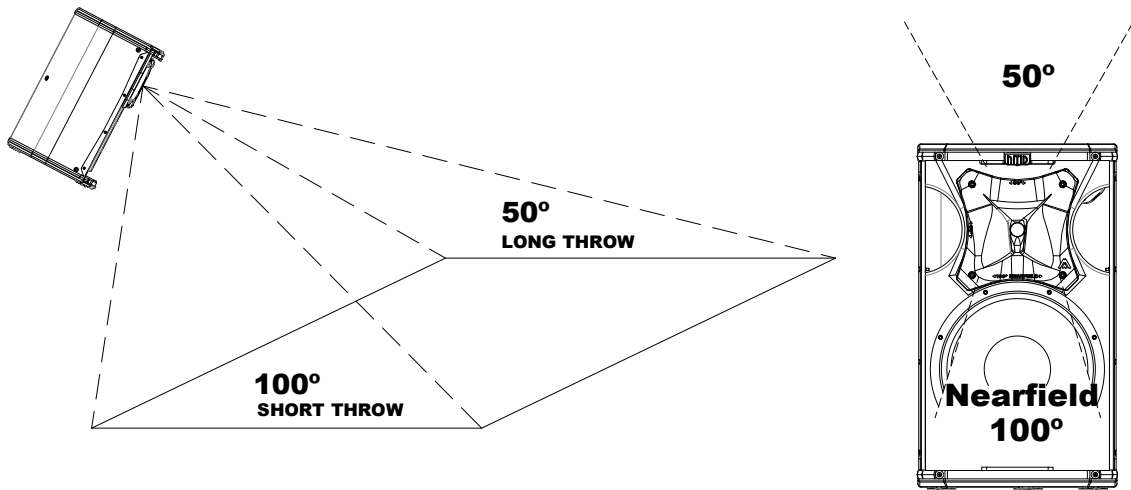


Fig. 7. Vertical position

4.3.2. Horizontal-Positioned Cabinets (Flown and aiming to the audience)

We need wide coverage (100°) for the closest listeners and narrow coverage for the distant audience.

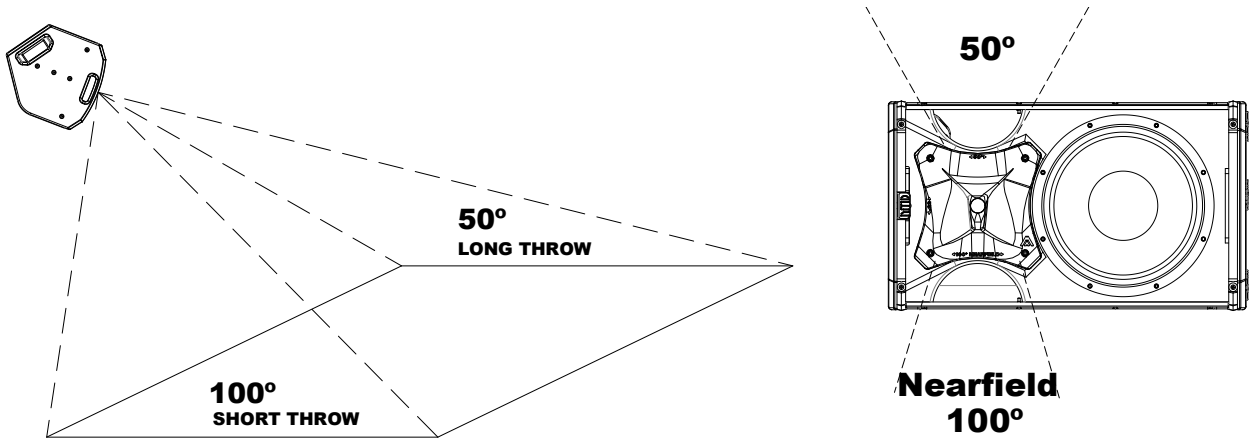
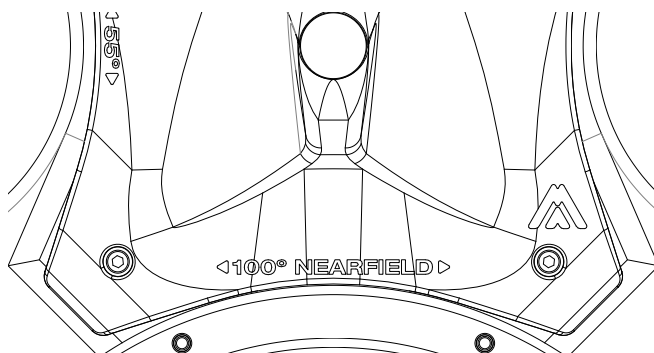


Fig. 8. Horizontal position



The horns have the "Nearfield" mark printed on the 100° horizontal coverage side.

Fig. 9. "Near Field" logo

4.3.3. Stage monitor use

Case 1

We need wider coverage (100°) when musicians are closer to the cabinet than when they move away from it (50°).

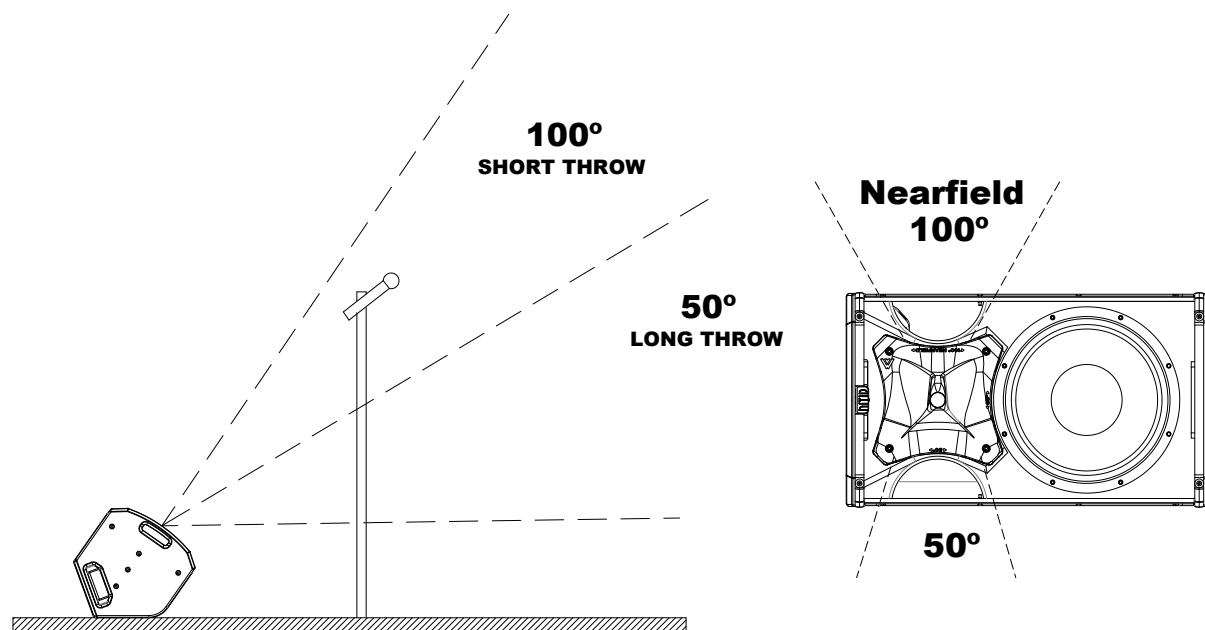


Fig. 10. Stage monitor use (case 1)

Case 2

We need wider coverage (100°) when performers move away from the cabinet (long stages) than when they are close to it (50°).

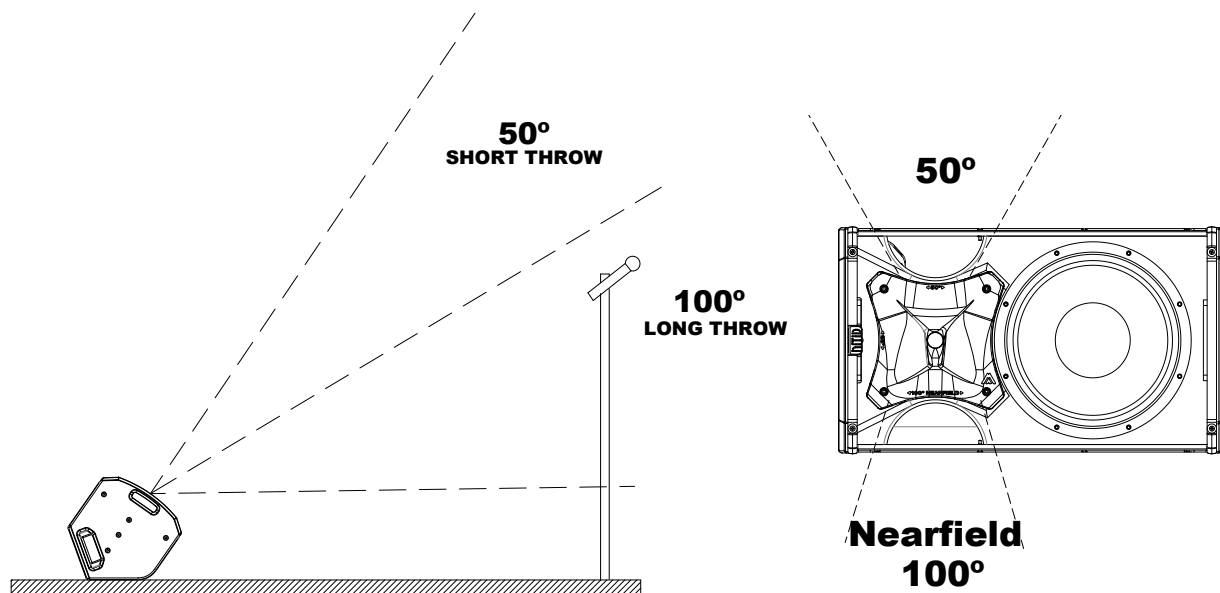


Fig. 11. Stage monitor use (case 2)

4.4. Rotatable logo

All grille's logo can be rotated.

4.5. Stage monitor use

The wedge shape of S12 allows for use as onstage monitor without the need of incorporating any other accessory. Remember to use the MONITOR preset in this case.

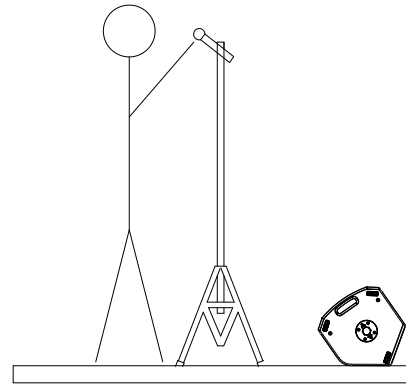


Fig. 12. Use as on-stage monitor

4.6. Flying

Only experienced people should fly speaker cabinets. Extreme care should be taken to assure the load bearing capabilities of the structures where the cabinets will be placed. Hanging hardware (as chains, eyebolts, lock pins...) should be regularly inspected and replaced if in doubt.



DO NOT SUSPEND THE CABINETS FROM THE HANDLES

4.6.1. Vertical flying with HR-LU and HR-LU/GT bar

The HR-LU and the HR-LU/GT are some optional accessories for flying on truss or ceiling (vertical orientation) one unit of S12. Refer to “HR-LU instructions manual” and “HR-LU/GT instructions manual” for more information.

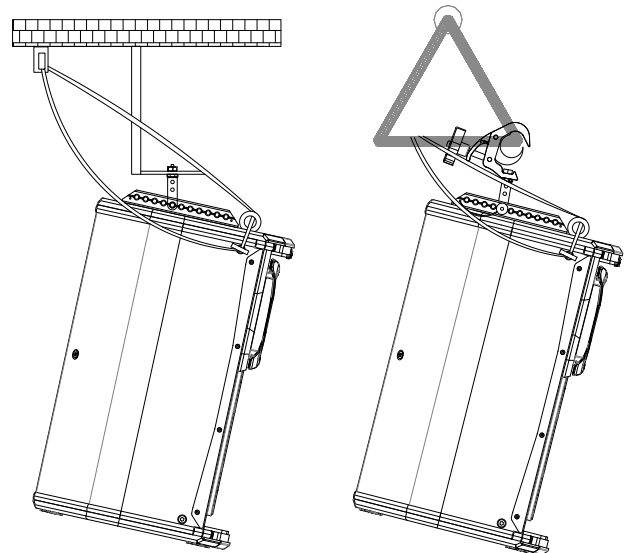


Fig. 13. HR-LU and HR-LU/GT flying bar for S12

4.6.2. Vertical flying with SP-WHR

The SP-WHR is an optional accessory for mounting on wall (vertical orientation) one unit of S12. Refer to “SP-WHR instructions manual” for more information.

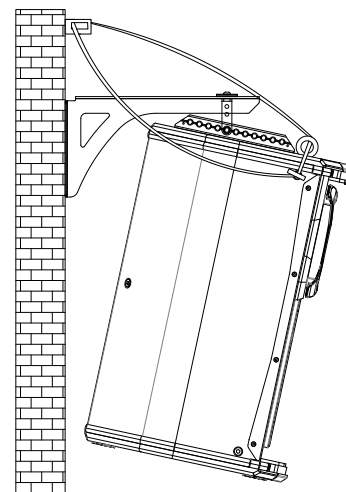


Fig. 14. SP-WHR bracket for S12

4.6.3. Flying with ACRM8

The S12 provides several M8 flying points. Their correct use will permit the flying in vertical position or horizontal position.

S12	
Horizontal flying	3&6 or 4&7 or 1&8 or 2&9 (front rigging points) 5 (back tilt point)
Vertical Flying	1&2 or 3&4 (front rigging points) 5 (back tilt point)

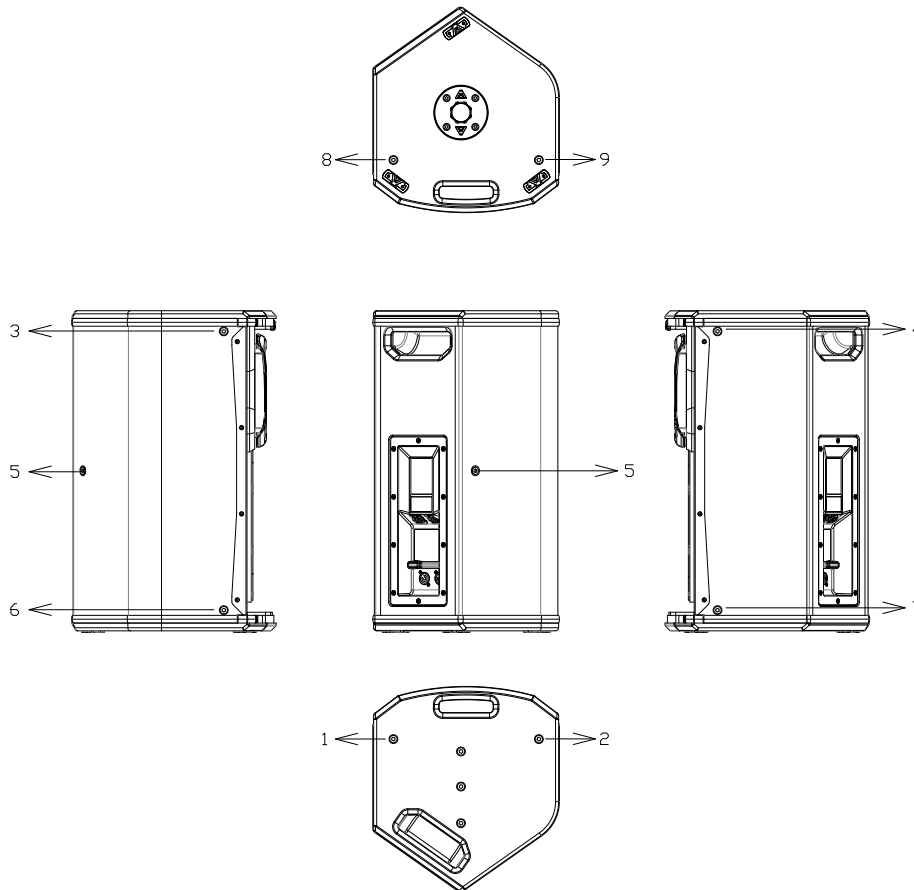


Fig. 15. S12 rigging points

4.6.4. Horizontal flying with UB-L

The UB-L is an optional accessory for mounting on wall (horizontal orientation) one unit of S12. Refer to “UB-L instructions manual” for more information.

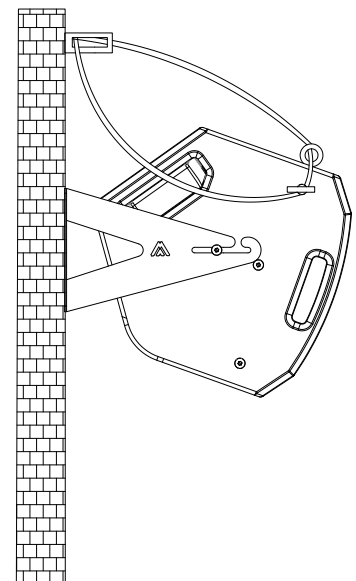


Fig. 16. U-BL bracket for S12

5. SPECIAL DSP FEATURES

RMS Limiter

NITID systems combine a carefully designed dual limiter system to independently protect each transducer against power overload: a peak Limiter and a RMS Limiter.

The RMS Limiter prevents long term exposition of the transducer to high RMS levels (abnormal when the music has a correct dynamic headroom). When the limiter indicator (see NOTE) lights up continuously, it means that the RMS limiter is active. On the other hand, the Peak Limiter has an ultrafast attack to control the highest peaks of the music and only makes the indicator blink.

Thanks to the large experience of Amate Audio on DSP algorithms and limiters, these limiters are highly effective yet unnoticeable for the listener.

NOTE: in the NITID-S systems the limiter indicator can be found in the rear screen, with the words **LIM** highlighted in orange when it is active. Alternatively, the front NITID logo can be configured to indicate the limiter (see Annex I for more information).

Automatic Temperature Limiter

Under normal operation, NITID amplifiers can perform during many hours at full power. However, should the temperature in the amplifier rise abnormally, the system will automatically adjust the limiter threshold as a temporal protection to prevent the temperature rising further.

When the temperature lowers again, the system will recover its normal operation. Should the temperature continue rising and reach 90°C at the amplifier's heatsink, the system will shut down in Protection mode.

Input Dynamic Compressor

NITID systems have a nominal input voltage of +8dBu / 2V (+2dBu / 1V in subwoofers) for full power performance; nevertheless, in order to respect the highest dynamics of the music, the input is capable to hold a high input voltage (+20dBu / 8V). This avoids undesirable effects from sound sources and mixers capable of delivering a higher output voltage.

It must be noticed that **driving a system continuously over its nominal input level may drastically decrease the sound quality**, normally because of the lack of headroom (dynamic response). In the long term, it might also produce unnecessary damaging of the transducers and reduce their reliability. The **maximum power of the system** is obtained at its **nominal input level**. Under this condition, the limiter indicator may blink occasionally. Working continuously above this level is never translated into better results.

To avoid loudspeaker damage because of input overload issues, NITID systems build in an **input monitoring system that prevents the cabinet from being continuously operated at excessive input signal levels**.

After a period of exposure to high average input levels (over +2.5Vrms), a dynamic compressor will **progressively reduce the output power**, to protect the transducers.

The higher the voltage at the input is, the higher the reduction of the output power, being maximum reduction 18dB. While the dynamic compressor is active, the message “Input Overload” will be present on the rear screen and the front logo will blink constantly.

To get back to the normal operation mode, the input level should be reduced to below 2 Vrms. After the level reduction, the system needs about 5 seconds to recover the normal operation mode.

Loudness (ALC)

The **ALC** feature is present when the Presets **FLAT** or **HPF90** are selected.

ALC is a DSP algorithm developed by the Research and Development team at **Amate Audio** to improve the listening experience when the cabinet is being used at low reproduction levels.

Under this listening condition, the behaviour of human ear is to naturally enhance the level of middle frequencies. The lower the level, the higher is the middle frequency enhancement. To compensate for that effect, **ALC** applies a correction to the frequency response of the system.

In order to do that, **ALC** automatically senses the average signal level at the input: when this level is low, the DSP will apply loudness compensation curves (based on Fletcher-Munson’s equal loudness contours), that will dynamically adapt the frequency response of the cabinet to the listening conditions.

This feature will only influence the frequency response when the input signal average is below 6dB of the nominal input, that is, when the cabinet is performing at levels below half of its rated program power. In the range between -6dB and 0dB in respect to the nominal input, the **ALC** will not modify the response.

6. TROUBLESHOOTING

System not powering up

- If the screen does not light up:
 - Check that the PowerCon cable is correctly inserted and turned until the “click”,
 - Check that the AC mains is between the rated AC (85 to 265VAC)
 - If AC is correct, the power module might need servicing. Contact support.
- If the screen lights up, but remains with the Amate Audio logo, the DSP board might need servicing. Contact support.

No output sound

- Check in the screen that the input bar shows level being received by the system. If not, check your cabling and sound sources.
- Check that the signal cables are in good condition and connected at both ends
- The mixer output level must not be at minimum.
- Check that the mixer channel is not muted.

- Check that the system is not in MUTE or STANDBY (click the thermometer icon and read the “Status” value) not lit. If yes, go inside the menu using the touchscreen and deactivate them:
 - To disable the Standby go to SETUP and select PWR ON in the ECO button.
 - To disable the MUTE push the icon with a loudspeaker.
- Check that the system GAIN is not set to the minimum. To do that, go to the AUDIO setting using the touchscreen, select GAIN and move the slider to the 0dB position.

Distorted output signal

- The system is being saturated with a very high input signal, frequently caused by the same mixer. Check the output level or mixer gain channels.

Poor bass levels

- Check the polarity on the signal connections between the mixer and cabinets. If any of the Pins (1, 2 or 3) have been inverted at the cable ends, this will cause significant performance and sound quality loss.

Noise and Hum

- Check that all the connections to the active units are in good condition.
- Avoid intertwining between mains supply cables or proximity to transformers or Electromagnetic (EMI) emitting devices.
- Check there is no light intensity regulator in the same AC circuit as the unit. ALWAYS connect the sound and light circuits in different phases.
- Check that there is a proper connection to EARTH in the electrical installation.

Forgotten pattern for Touchscreen

- Check the annex at the end of this manual to learn the default pattern.
- Should you have changed the pattern and forgotten it, follow these steps:
 - Turn the system off.
 - Turn the system on.
 - When the display shows Amate Audio logo and the firmware version, press anywhere on the touch screen until the screen changes to the main screen.
 - The pattern will be restored to its default value.

7. TECHNICAL FEATURES

	S12
Analog Audio Input	
Sensitivity	+8dBu – 1.94V
Impedance	50kΩ balanced
Mains Supply	
Type	Univ. switch mode power supply
Nominal input	85-265 VAC/45-65 Hz
Average current draw	1.7 A
AD/DA converters	24 bit / 48 kHz
DSP architecture	64 bit
Frequency response (-10 dB)	52 Hz – 19 kHz
Maximum output level (1m/continuous)	128 dB
Amplifier (program)	800 W +200 W
Nominal directivity (-6dB)	50° to 100° (H) x 55° (V)
Components	
LF-MF	12" neodymium woofer (3" voice coil)
HF	1 x 1.5" polymer diaphragm neodymium ring driver
Cabinet	
Type	Bass-reflex
Height	623 mm
Width	360 mm
Depth	398 mm
Weight (net)	19.9 Kg
Connectors	2 x AC PowerCon (input, link) 2 x XLR (input, link)
Material	Multilayer birch plywood, 1.5mm powder coated steel front grille with black acoustic mesh
Finish	Hi-resistance black Polyurea coating and protective rubber profiles

Note: Specifications subjected to change without prior notice.

ANNEX I: TOUCHSCREEN OPERATION

Amate Audio’s Nítid S series comes with integrated signal processing (Internal DSP). The internal DSP can be tuned using the touchscreen. The main specs of the touchscreen are:

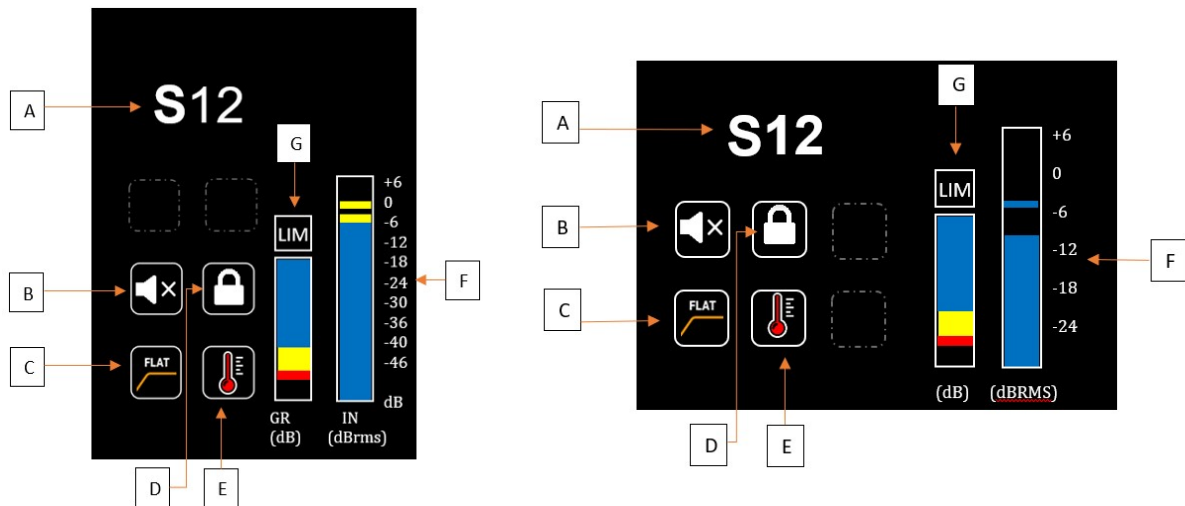
- TFT-LCD screen
- 320x240 pixels resolution
- Vision angle 180°
- 16.7 Million of colours



1. Main screen

After turning on the system a first loading screen show up the Amate Audio’s logo. The built-in gyroscope can adapt the orientation of the screen elements to the loudspeaker position.

When the boot process is completed, the following elements are shown:



A. Loudspeaker model

B. Mute button

It mutes the audio output without turning off the amplification stage, so when the process is reverted the speaker delivers the audio immediately.

C. Preset button

Quick access to the preset selection menu. The icon gives info at a first glance: It shows what preset is currently applying.

D. Main menu button / Unlocking

It gives access to the Main menu (Unit settings). When the unit is unlocked, the button shows the icon of a gear.

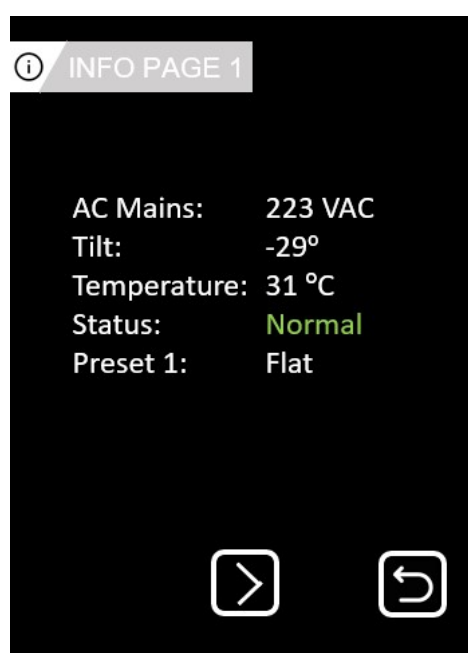
The pattern can be customized inside Pin configuration menu:

Menu button (**D**) → Settings → PIN

E. Info button

Info button is dynamic, meaning that it changes according to the unit's status. The button shows current temperature with three colours: Blue when temperature is below 55°, orange between 55°-75° and red above 75°. In the case the unit enters in protect, the icon flickers.

Click on the Info button to access to detailed unit info.



Info menu has four pages. In the first page, Status summarizes the unit status with the following options:

- Normal: Normal behaviour
- Mute: Mute is enabled
- Standby: The unit is waiting for signal
- Protect: Failure in the amplification stage

The tilt indication is not available in the presence of signal at the input. The vibration caused by the sound waves jeopardise the measurement.

F. Input level meter

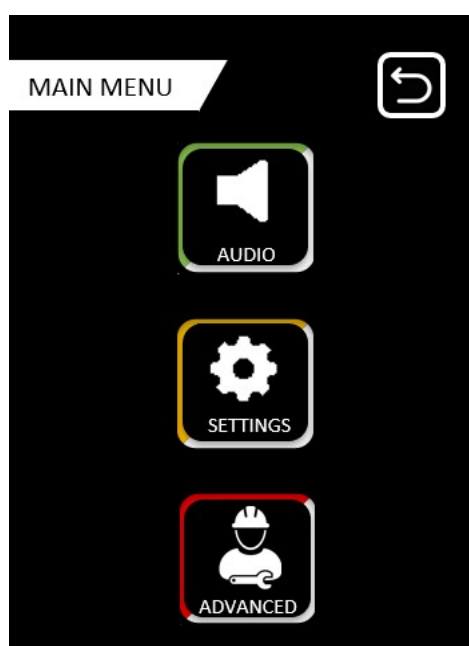
It shows the relative to full scale level in the XLR inputs of the unit. The reference is the sensibility of the loudspeaker, available in the specs, plus 6 dB of headroom. In the case the signal reaches saturation, a red clipping indicator show-up.

G. Limiter check. Gain reduction level meter.

The limiter check box (LIM box) turns on when the integrated signal limiter is working. Below the limiter check box is located the Gain reduction level meter that shows the level of limiter applied to the input signal.

2. Main menu

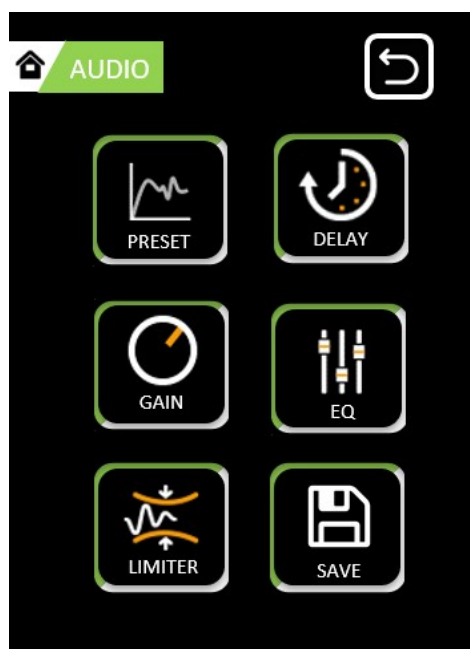
With the unit unlocked, push on the Gear icon to access Main menu.



- **Audio**
Audio signal settings.

- **Settings**
Non-audio settings.
- **Advanced**
Advanced configuration parameters enabled for qualified users.

2.1. Audio menu

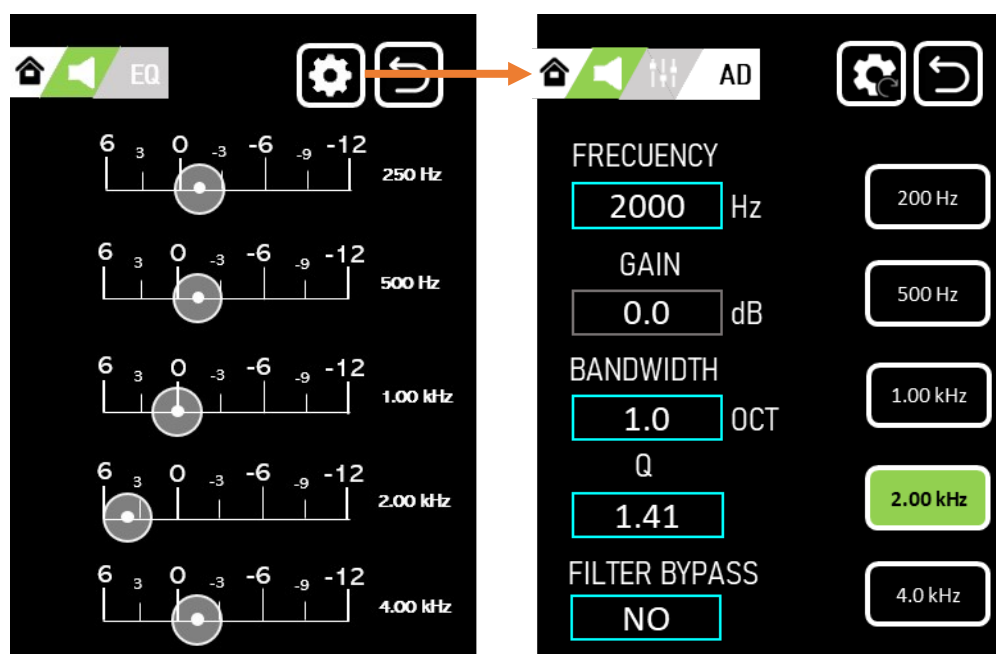


- **Preset**
Factory preset selection

When loading a preset with a set of audio parameters (EQ, delay,...) customised by the user, a pop-up will show up asking for confirmation to hold the user audio parameters. Accepting to hold the user parameters makes them overload the chosen preset. Cancelling to hold the user parameters delete all the user parameters only applying the preset.
- **Gain**
Input gain control. The fader select the gain reduction applied to the input signal.
- **Limiter**
Built-in limiter threshold control. The level meter shows the current gain reduction applied to the input signal. Lower the threshold to increase the compression.
- **Delay**
Input signal delay control. It can be set both in milliseconds and meters, showing the equivalence in the other box. There is a polarity control button.

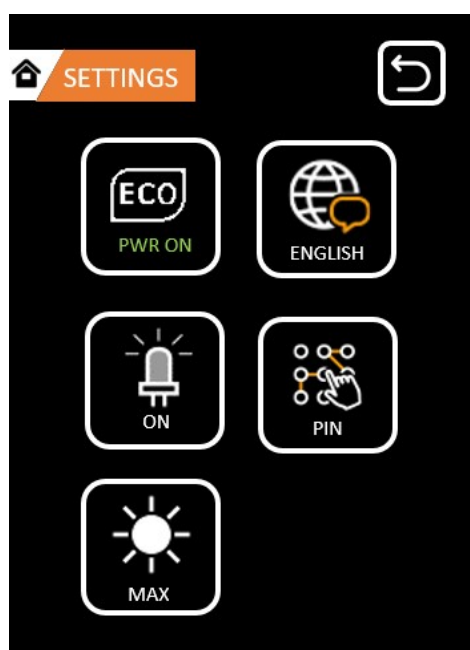
- **EQ**
Input parametric multiband equalizer control. There are available five parametric peaking filters.
Pushing on the upper-right corner gear enables the advanced EQ menu, where each parametric can be customised for: Frequency, gain, bandwidth. There is an option to bypass each filter.

On the top right corner of the Advanced EQ menu, you can find the EQ reset button. When pushed, all values of the five available EQ will be set back to factory default (no EQ). The system will ask for confirmation before performing this operation with an on-screen window. Select OK to proceed.



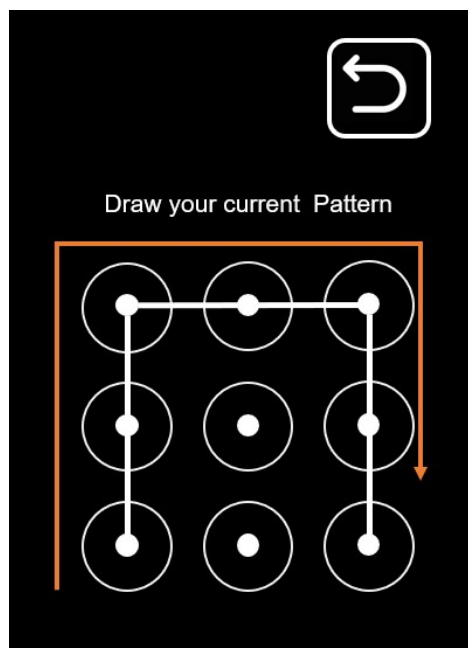
- **Save**
Access to the internal unit memory. Each of the 24 available memories can store a new user customised preset, saving: EQ, delay, gain and limiter configurations.

2.2. Settings menu



- **ECO**
Amplifier stage power behaviour configuration.
PWR ON: The amplifier stage is always active at full power for a quick amplified signal delivery.
STANDBY: The amplifier stage power is in standby mode, so no signal output though the unit is active.
AUTO: The amplifier stage waits in standby mode for an input audio signal. When this happens the amplifier stage switch to PWR ON.
- **Frontal LED**
Frontal Nitid LED configuration. The options are:
OFF: LED always off.
ON: LED always on
LIM ON: LED remains off until internal limiter starts working that makes LED lights on.
LIM OFF: LED remain on until internal limiter starts working that makes LED turns off.
- **Screen brightness**
Backlight intensity configuration. There are three possible levels of brightness intensity.
- **Language**
Language selection for the unit. The available languages are: English, Spanish and Catalan.
- **PIN**
Pattern PIN configuration as a drawing connecting several points

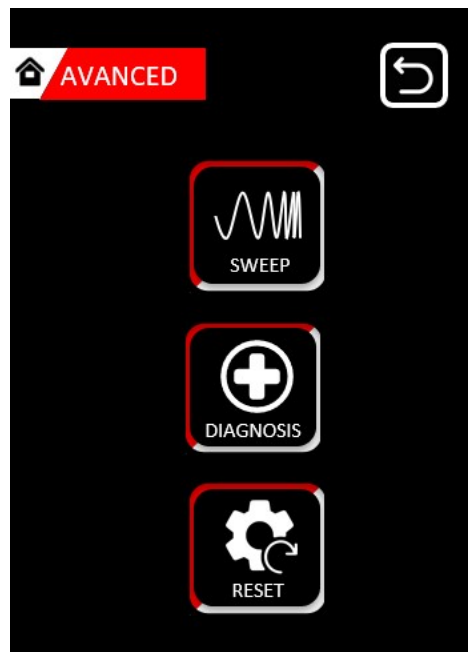
The unlocking process is performed drawing a pattern. The pattern is configured inside Settings menu. By default, the pattern is (starting on the bottom left dot, then clockwise):



Once the previous pattern is draw, the system will wait for the new pattern. A lock icon in the upper left corner of the screen will show up. Pushing on it locks the unit (The system confirms the operation swapping the lock icon for a closed lock). Once the operation is completed the system will confirm the selection. Exit from the PIN menu to start de locking process. The unit will lock after waiting for 1 minute or after a cycling the power.

The pattern PIN can be reset anytime. Just hold the finger on the screen when unit boots on the Amate Audio logo. When boot finish the pattern have been reset to default.

2.3. Advanced menu



- **Sweep**

Acoustic test. A sinusoidal soundwave is played. It sweep through the entire audible range in two steps. First the high frequency stage from the cutoff frequency to 20 kHz. Then, the low frequency stage from 20 Hz to the cutoff frequency. The duration of both sweep are approximately two seconds.
- **Diagnosis**

Access to the system info menu. It is equivalent to push the thermometer icon from Main screen.
- **Reset**

Factory reset of all the unit's parameters. The pattern PIN must be entered to confirm the process.

DECLARATION OF CONFORMITY

In accordance with EN 45014:1998

Manufacturer's Name: "AMATE AUDIO S.L."
Manufacturer's Address: C/ Perpinyà 25, Polígon Industrial Nord
08226 Terrassa, (Barcelona), SPAIN
Brand: "AMATE AUDIO"

We declare under our own responsibility that:

Product: Active speaker systems with DSP. Audio apparatus for professional use
Name: Nitid S12

Conforms to the following product specifications:

Safety: IEC 60065-01 + A1
EMC: EN 55022:2006
EN 55103-1:2009
EN 55103-2 2009
FCC Part 15

WARNING:

In accordance to EN55022, this is a class A product. In a domestic environment this product may cause radio interference in which case the user may be required to take adequate measures.

Supplementary Information

The product herewith complies with the requirements of the:

Low Voltage Directive 2006/95/EC
EMC Directive 2004/108/EC
RoHS Directive 2002/95/EC
WEEE Directive 2002/96/EC

With regard to Directive 2005/32/EC and EC Regulation 1275/2008 of 17 December 2008, this product is designed, produced, and classified as Professional Audio Equipment and thus is exempt from this Directive.

Date of issue: April 1rst., 2022

Signature:

AMATE AUDIO S.L.
N.I.F: B5903481
Violinista Vellutà, 18
Tel: +34 93 731 12 34
08222 - Terrassa
Barcelona - SPAIN



Joan A. Amate Martinez
General Manager

Conformity Marking



*Great sound
from Barcelona
since 1972*

The **NITID** powered loudspeaker systems have been
designed, engineered and manufactured in
Barcelona – SPAIN by

Amate Audio S.L.

Perpinyà, 25 · Polígon Industrial Nord · 08226 Terrassa
T. +34 93 735 65 65 – F. +34 93 735 60 48 –
info@amateaudio.com

R&D and FACTORY:
Violinista Vellsolà, 18 · 08222 Terrassa
T. +34 93 736 23 90 – F. +34 93 786 47 00

Barcelona – SPAIN

www.amateaudio.com